

Onan MARINE GENERATORS



6.5 kW 60 Hz
5.5 kW 50 Hz
MDK Series
Model MDKUB
Diesel

Leading the Way

- Rugged dependability and high quality features make Onan a leading name in the marine industry. Reliable Onan marine generator sets have more standard features than any other marine genset available.
- Onan leads the way in innovation, with a sophisticated design and development process that applies technology to noise attenuation, vibration isolation and emissions. These technologies provide quiet, smooth running and clean gensets for your boating pleasure. Onan marine gensets are emissions certified per applicable regulations including CARB and EPA.
- The Onan designed and manufactured high efficiency, alternator delivers the power you need with excellent load response and AC output characteristics. This alternator is protected with corrosion-resistant resins for salt water environments.
- Onan marine gensets are designed for compliance with U.S. Coast Guard and ABYC voluntary standards, developed to increase your boating enjoyment.
- Onan brand marine gensets are produced by Onan Corporation, a subsidiary of Cummins Engine Company. The Cummins Onan network is the largest worldwide certified Distributor/Dealer support network in the industry. Our extensive warranty coverage provides owner peace of mind.
- Onan gensets are complemented by a full line of accessories, making it easy to customize an Onan genset to suit your application. Onan gensets are easy to install, operate and maintain, plus they are small in size.
- More than 60 years of marine experience, gained by supplying gensets to the U.S. Coast Guard, Navy, recreational boaters and some of the finest yacht builders in the world, stand behind every Onan marine genset.

Genset Ratings

Model	kW/kVA	Voltage	Amps	Phase	Hz	Engine RPM
6.5MDKUB	6.5/6.5	120	54.2	1	60 Hz	3600
		120/240	54/27.1	1	60 Hz	3600
5.5MDKUB	5.5/5.5	110/220	50/25	1	50 Hz	3000
		115/230	47.8/23.9	1	50 Hz	3000
		120/240	45.8/23	1	50 Hz	3000

Three phase and other single phase configurations are available, contact your Distributor/Dealer for more information. Rating conditions are 100 kPa (29.6 in Hg) barometric pressure, 30% relative humidity and 25° C (77° F) (ref. ISO 3046).

Genset Dimensions and Weights

	With Sound Shield
Length	28 in (709.7 mm)
Width	21.75 in (552.7 mm)
Height	23.5 in (596 mm)
Weight (dry)	380 lb (173 kg)

Features

- Switchable between 50/60 Hz
- Single phase AC alternator with single or dual voltages
- Solid state voltage regulator
- Capped voltage regulator for stability as appliance load changes
- 12 V DC electric system with battery charging, negative ground
- DC control console mounted with isolation and DC protective circuit breakers
- Start-run-stop switch with glow plug pre-heat for easy starting
- Electric fuel pump for lift capability
- Engine starter with automatic start disconnect
- Freshwater cooling system with heat exchanger, expansion tank and coolant recovery system
- Water cooled exhaust mixing elbow
- Gear-driven raw water pump
- AC mainline circuit breaker
- Field circuit breaker
- Engine shutdown for:
 - High engine coolant temperature
 - High exhaust temperature
 - Low oil pressure
 - Additional customer input
- Running time meter
- Air intake silencer
- Full flow lube oil filter
- Oil drain with valve and hose extension
- Electric fuel shut-off solenoid
- Fuel filter/water separator
- Drip pan base capable of containing all genset fluids
- Captive focalized mounting system with vibration isolator mounts
- Bulk head type connections for ease of installation
- Single point lifting bracket for ease of installation
- Sound shield housing
- Plug-in watertight connector for optional remote control
- Closed crankcase breather re-circulation to eliminate engine room contamination
- Coolant overflow bottle to easily maintain coolant level
- Factory load tested
- E-coat process to protect sheet metal
- Five year Limited Warranty
- DNV Type Approval

Available Options

- Oil level indicator access from sound shield roof panel

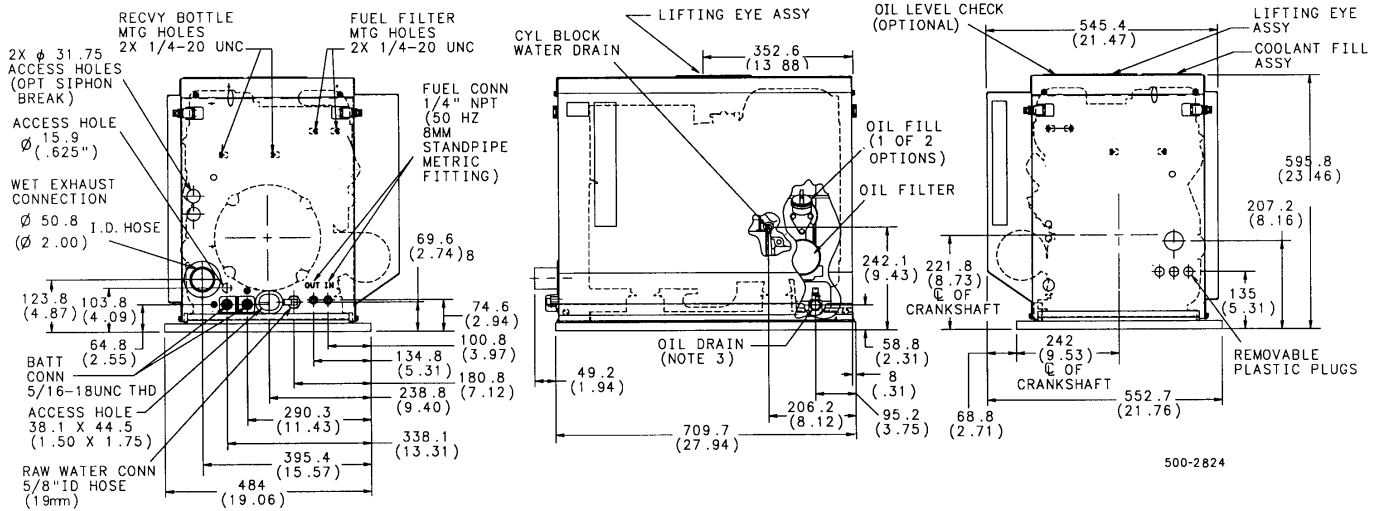
Accessories

- Basic remote start/stop switch
- Deluxe remote start/stop switch with hourmeter
- Deluxe remote start/stop switch with DC voltmeter
- Remote station harness pigtail
- Remote panel wire harness - 15 ft, 25 ft, 45 ft, 75 ft, 100 ft or 150 ft
- Remote gauge package with start/stop switch, hourmeter, DC voltmeter, oil pressure and water temperature gauges; select appropriate sender kit for negative ground or isolated DC
- Line circuit breakers for field conversion of frequency or AC voltage output
- Remote fuel filter/water separator assembly
- Siphon break kit
- Wet exhaust hose
- Battery
- Marine muffler & water separator - dual silencers
- Isolated DC control conversion kit
- Ship-to-shore selector switch, single phase, 2 or 3 wire output
- Oil level indicator kit for access from outside sound shield; requires installer to modify sound shield roof
- Cruise kit - maintenance parts - fuel filters, oil filters, sea water pump impellers, zinc pencils and alternator belt, plastic container



Onan Cruise Kit

Outline Drawing



This outline drawing is provided for general reference only and is not intended for design or installation. See installation manual and obtain outline drawing number 500-2824 for more information (available from your Distributor/Dealer).

Engine Detail

Design 4-cycle, water-cooled diesel
Cylinders 2
Bore 2.64 in (67 mm)
Stroke 2.68 in (68.0 mm)
Displacement 29.23 in³ (479 cm³)
Compression Ratio 23:1
Max Fuel Lift 4 ft (1.22 m)
Lube Oil Capacity 4 qt (3.8 L)
Coolant Capacity 2.3 qt (2.2 L)
Coolant Flow Rate
 60 Hz: 7.9 gpm (29.9 Lpm)
 50 Hz: 6.5 gpm (24.6 Lpm)

Raw Water Flow Rate
 60 Hz: 3.5 gpm (13.2 Lpm)
 50 Hz: 3.0 gpm (11.4 Lpm)
Starting System 12 V
Power (Max) SAEJ1349
 at 3600 rpm 12.5 hp (9.3 kW)
 at 3000 rpm 11.7 hp (8.7 kW)
Fuel Injection Pump Bosch MD type
Combustion Chamber Spherical

Max Raw Water Lift 4 ft (1.22 m)
Fuel Consumption
 No. 2 diesel fuel, Gal/hr (L/hr)

	5.5 MDKUB	6.5 MDKUB
1/2 Load	0.4 (1.5)	0.5 (1.7)
Full Load	0.6 (2.1)	0.7 (2.7)

Alternator Detail

Design Onan revolving field, 2 pole, drip-proof construction, with encapsulated rectifiers
Bearing Pre-lubricated, double-sealed ball bearing

Cooling Direct drive centrifugal blower
Voltage Regulator Solid state capped voltage regulator; no SCR tracking problems

Insulation System Class H per NEMA MG1-1.65 and BS 2757/IEC 60085

Genset Detail

Operating Environment Gensets are durability tested at maximum ambient; air temperature: 176° F (80° C); raw water temperature 100° F (37.8° C)

Frequency Regulation 5% no load to full load
Random Frequency Variation will not exceed +/-0.5% of its mean value for constant loads from no load to full load
Voltage Regulation No load to rated load +/-1.5%

Random Voltage Variation will not exceed +/-1% of its mean value for constant loads from no load to full load
Sound Level
 61.5 dB(A) at 60 Hz*
 59.5 dB(A) at 50 Hz*
 * Full load at 3 m with Onan sound shield

Warranty Policy

The Onan express, written Limited Warranty covers virtually everything except routine maintenance for the first two years you own your marine genset, and covers parts and labor on major power train and genset parts during the third through fifth years.

For complete Onan Limited Warranty details see your Onan Distributor/Dealer.

After Sale Support

GENUINE ONAN MAINTENANCE PARTS AND PRODUCTS - For your ongoing satisfaction and the dependability of your Onan marine genset, Onan offers a complete line of replacement and tune-up parts, accessories and oil and maintenance chemicals. Onan marine parts are packaged for correct selection and convenient on-board storage.

EASY TO LOCATE CERTIFIED ONAN SERVICE AND PARTS DEALERS - Onan has the largest and best-trained worldwide certified Distributor/Dealer network in the industry, offering on-time parts and service and installation assistance. Cummins Onan Distributor/Dealers stock and sell commonly used Onan marine genset maintenance parts, accessories and products, plus operator manuals and literature on current Onan gensets. They can help you select and install the right genset for a new vessel or accessories on older models, or provide answers to questions on proper operation and maintenance procedures.

MANUALS - Installation, operators and parts manuals are shipped with the genset. To obtain additional copies or other manuals for this model, see your Cummins Onan Distributor/Dealer.

Standards and Testing



DET NORSKE VERITAS

National Marine Manufacturers Association (NMMA) members produce every conceivable product used by recreational boaters. NMMA provides a wide variety of programs and services including technical expertise, standards monitoring, government relations advocacy and industry statistics.

The American Boat and Yacht Council (ABYC) seeks to develop standards and recommended practices for designing, constructing, equipping and maintaining small craft, both pleasure and commercial.

This genset was designed and manufactured in facilities certified to ISO 9001.

DNV Type Approval. DNV is recognized worldwide as a leading provider of classification of marine components.

See your Distributor/Dealer for more information



To easily locate the nearest Onan Distributor/Dealer, or for more information, contact Onan at 1-800-888-ONAN or 763-574-5000; 1400 73rd Avenue N.E., Minneapolis, MN 55432 U.S.A.; fax 763-574-5298; www.onan.com.

Onan is a subsidiary of Cummins Engine Company. ©2000 Onan Corporation. Onan is a registered trademark of Onan Corporation. Cummins is a registered trademark of Cummins Engine Company.

WARNING: Backfeed to a utility system can cause electrocution and/or property damage. Do not connect to building electrical except through approved device or after building main breaker is open.